

# HALI-BRITE®

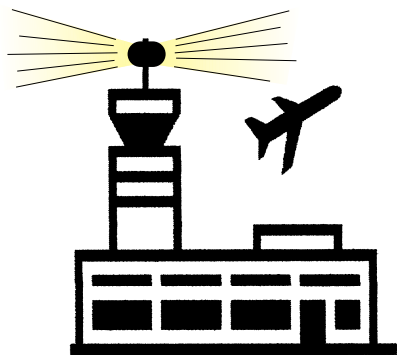
## L-802A 36" Refurbished Airport Rotating Beacon

### Applications

L-802A Rotating Beacons are designed primarily for night operation as identification and location markers for airports.

### Features

- Patented stationary lamp system eliminates the gear lubrication maintenance required by conventional gear-drive beacons (U.S. Pat. 5,339,224)
- Qualifies for AIP funding
- Available for exchange or direct purchase
- 36,000 lumen, 400 watt metal-halide lamp
- 20,000 hour typical lamp life (3-4 years)
- One clear lens, one aviation green lens
- Thermally-protected motor eliminates burnouts
- Lamp preset 5° above horizontal, adjustable
- 12 RPM rotation, 24 flashes/minute
- All new stainless steel fasteners
- Plated steel parts
- All new Teflon-coated wire
- Weatherproof aluminum housing, powder coated international orange
- Winterization option available for cold climates
- Optional photocell and/or tell-tale relay
- Warranty 2 years on parts, 1 year on labor (excludes lamps)
- Power Consumption: 635W, 1035W with winterization option
- Manufactured in the USA



### HALI-BRITE® INC.

P.O. BOX 10 • 925 1st ST SW  
CROSBY, MN 56441

PHONE 1-800-553-6269 OR 218-546-7473 • FAX 218-546-6854  
[www.halibrite.com](http://www.halibrite.com)

## Ordering Information

Part Number	Description
L802A1116BSE	120 VAC, 60 Hz, Standard Base, Customer Exchange
L802A1116BSS	120 VAC, 60 Hz, Standard Base, No Exchange
L802A1116BTE	120 VAC, 60 Hz, Tri-Base, Customer Exchange
L802A1216BSE	120 VAC, 60 Hz, Standard Base, Customer Exchange, with Heater Option
L802A1216BSS	120 VAC, 60 Hz, Standard Base, No Exchange

NOTE: 220-240 VAC available, contact Factory

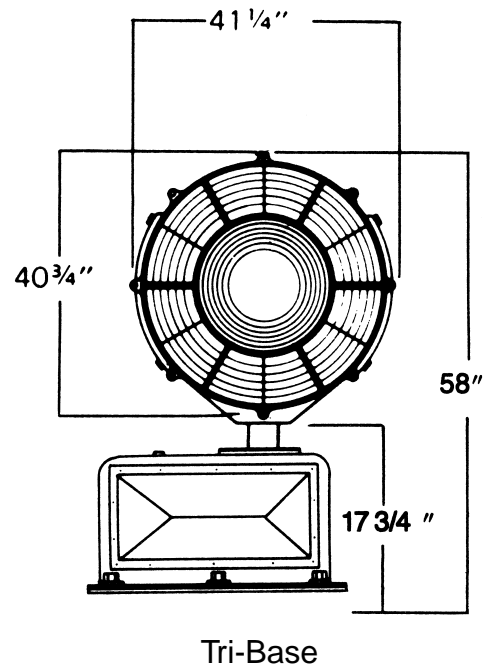
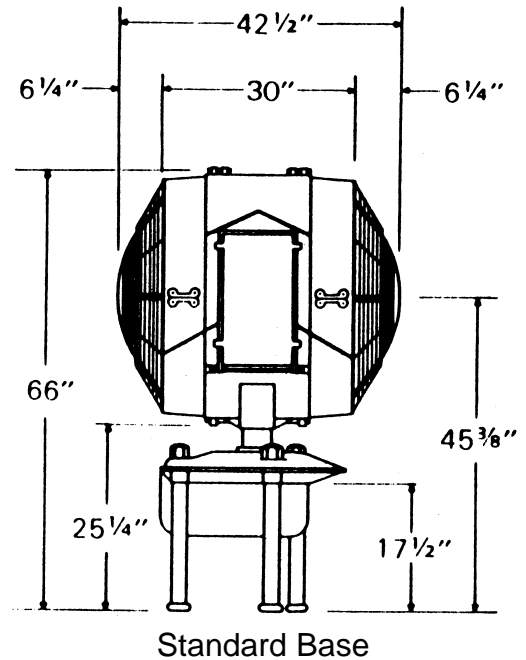
Part Number	Description
L802 T/T DCB 36	Tell-tale Relay, 120 VAC

## Replacement Parts

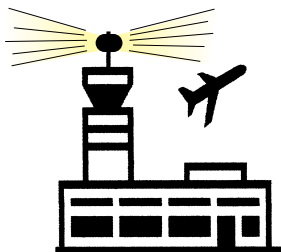
Part Number	Description
0200-0005	Ballast
0600-0001	Belt
2300-0005	Fuse, 10 amp
3400-0400U	Lamp, 400 watt
2800-0001	Lens, Left Outer Sector
2800-0002	Lens, Right Outer Sector
2800-0003	Lens, Outer Bullseye
2800-0033	Lens, Inner Clear
2800-0011	Lens, Inner Green

## Shipping Information

Unpackaged Weight: 450 pounds  
 Shipping Weight: 950 pounds  
 Shipping Volume: 48"x48"x77"



The information contained in this document is subject to change without notice.



### HALI-BRITE® INC.

P.O. BOX 10 • 925 1st ST SW  
 CROSBY, MN 56441

PHONE 1-800-553-6269 OR 218-546-7473 • FAX 218-546-6854  
 www.halibrite.com