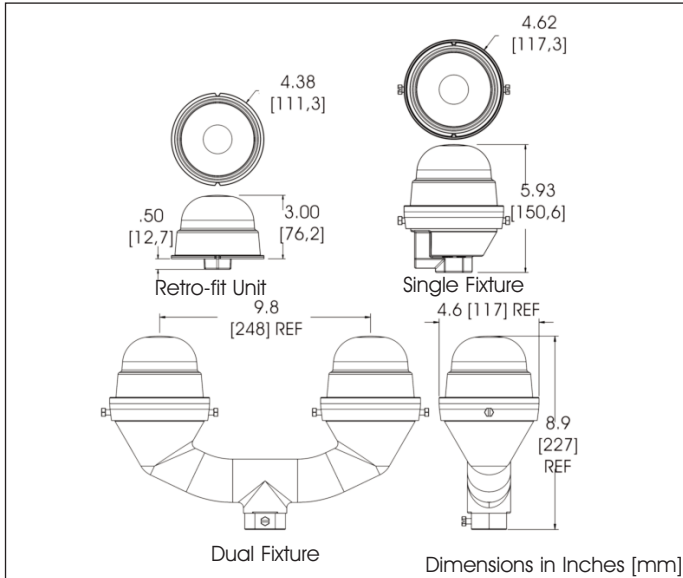




US Patent #7,604,384

## Vigilant® LED Based L-810 Low Intensity (Red) RTO Side Light



### Application:

The Dialight Vigilant® RTO L-810 is the most universal, compact and efficient obstruction light in the world. ETL Certified to the FAA requirements, the RTO signal is also ICAO and Transport Canada compliant. A variety of mounting options are available, including a single signal for direct replacement of incandescent lamp/lens technology.

Unit Weight:	1.25 lbs (0.56 kg) (Retro Unit) 2.00 lbs (0.91 kg) (Single Unit) 4.60 lbs (2.09 kg) (Dual Unit)
Supply Voltage Ranges:	Nominal +/- 10%
Input AC Frequency:	50/60Hz
Power Factor:	>0.9 (All AC units)
Operating Temp:	-40°F to +131°F (-40°C to +55°C)

### Certifications & Ratings

- FAA Approved  
(Check FAA Website for current certification)
- DGAC Mexico
- IP 66
- NEMA 4X

### Qualified By

- Intertek ETL
- Lighting Sciences Canada

### Compliant To

- ICAO Annex 14, 5th Edition, July 2009
- ICAO Aerodromes Design Manual, Chapter 18
- Canadian Aviation Regulation CAR 621 (Transport Canada)
- Nachrichten für Luffahrer Teil I Langen, 6. Januar 2005
- German Air Traffic Control Notices For Pilots Part I 6, January 2005

Part Number	Description	Voltage	Certification / Compliance	Wattage
RTO-1R06-001	Single Light	277V AC	FAA (TC) L-810	8.0
RTO-1R07-001	Single Light	120-240V AC	FAA (TC) L-810	6.5
RTO-1R08-001	Single Light	12-48V DC	FAA (TC) L-810	3.5
RTO-1R18-001	Single Light - Low Power	12-48V DC	FAA (TC) L-810	1.5
RTO-1R06-002	Dual Light	277V AC	FAA (TC) L-810	8.0
RTO-1R07-002	Dual Light	120-240V AC	FAA (TC) L-810	6.5
RTO-1R08-002	Dual Light	12-48V DC	FAA (TC) L-810	3.5
RTO-1R18-002	Dual Light - Low Power	12-48V DC	FAA (TC) L-810	1.5
RTO-1R06-004	Single Retro-fit Light	277V AC	FAA (TC) L-810	8.0
RTO-1R07-004	Single Retro-fit Light	120-240V AC	FAA (TC) L-810	6.5
RTO-1R08-004	Single Retro-fit Light	12-48V DC	FAA (TC) L-810	3.5
RTO-1R18-004	Single Retro-fit Light - Low Power	12-48V DC	FAA (TC) L-810	1.5
RTO-CR07-001	Single Light Red / Infrared (IR)	120-240V AC	FAA (TC) L-810	5.5
RTO-CR08-001	Single Light Red / Infrared (IR)	12-48V DC	FAA (TC) L-810	5.0
RTO-CR07-002	Dual Light Red / Infrared (IR)	120-240V AC	FAA (TC) L-810	5.5
RTO-CR08-002	Dual Light Red / Infrared (IR)	12-48V DC	FAA (TC) L-810	5.0
RTO-CR07-004	Single Retro-fit Light Red / Infrared (IR)	120-240 V AC	FAA (TC) L-810	5.5
RTO-CR08-004	Single Retro-fit Light Red / Infrared (IR)	12-48V DC	FAA (TC) L-810	5.0
RTO-1R07-001-EU	Single Light	120-240V AC	ICAO only, 32cd	6.5
RTO-1R07-002-EU	Dual Light	120-240V AC	ICAO only, 32cd	6.5
RTO-1R07-004-EU	Single Retro-fit Light	120-240V AC	ICAO only, 32cd	6.5
RTO-6CR7-001	Single Light Red / Infrared (IR)	120-240V AC	TC only L-810	9.0
RTO-6CR7-002	Dual Light Red / Infrared (IR)	120-240V AC	TC only L-810	9.0
RTO-6CR7-004	Single Retro-fit Light Red / Infrared (IR)	120-240V AC	TC only L-810	9.0

Night Vision Goggles (NVG) and Aviator Night Vision Imaging Systems (ANVIS) sense infrared (IR) light at various wavelength ranges. Accordingly, Dialight makes no claim or representation that the IR light emitted by the Vigilant light is visible to any make or model of any NVG or ANVIS. In no event shall Dialight or any of its representatives be liable for any damages, including, without limitation, direct, consequential, indirect, punitive, incidental or special damages, in connection with the IR light emitted by the Vigilant light and/or whether any NVG or ANVIS can sense such IR light or whether the IR light emitted by the Vigilant light is visible to any NVG or ANVIS, regardless of the form of action.

# TWR Lighting, Inc.

*Enlightened Technology<sup>SM</sup>*

## OL-1 & OL-1BH FAA TYPE L-810 SINGLE OBSTRUCTION LIGHT

### OL-1 SPECIFICATIONS

INTENSITY:	LOW
HORIZONTAL COVERAGE:	360°
HEIGHT:	7-1/2" (19.05 cm)
DIAMETER:	4-7/8" (12.38 cm)
WEIGHT:	3 lbs. (1.36 kg)
LAMP WATTAGE:	1 - 116W LAMP
POWER REQUIREMENTS:	120 TO 240V AC
WIND LOAD:	CAAA = 0.2 ft <sup>2</sup>
FIXTURE LENS:	FRESNEL PYREX GLASS
FIXTURE BASE MATERIAL:	CASTED A356 ALUMINUM
OPERATING TEMPERATURE:	-55°C TO +55°C
HUB SIZES:	3/4", 1" OR 1-1/4" NPT
EFFECTIVE CANDELAS:	32.5 MIN.
APPROVALS:	CSA, ETL, DGAC

STAINLESS STEEL SAFETY CABLE.



RECEPTACLE.

NEOPRENE GASKETS FOR WEATHER  
PROOFING.

COPPER FREE ALUMINUM CAST  
STAINLESS STEEL LATCHES AND  
FOR CORROSION PROTECTION.



HIGH TEMPERATURE, ULTRA PURE FAA  
APPROVED AVIATION RED GLASS  
FRESNEL LENS.

NO SPECIAL TOOLS ARE REQUIRED  
FOR MAINTENANCE.

### FOR MORE INFORMATION CONTACT US AT:

4300 Windfern Rd. #100 Houston, Tx. 77041-8943  
Ph: 713-973-6905 Fax: 713-973-9352  
Web Address: <http://www.twrlighting.com>  
Email: [sales@twrlighting.com](mailto:sales@twrlighting.com)  
©2004 TWR Lighting, Inc.

**TWR Lighting, Inc.**  
*Enlightened Technology<sup>SM</sup>*