

HALI-BRITE®

Tipdown Pole

Applications

The Hali-Brite Beacon Tipdown Pole provides a tall, sturdy mounting platform for an L-801 or L-802 Rotating Beacon. The Tipdown Pole is center-hinged, allowing simple, easy access to the beacon without climbing or using a lift truck.

Features

- Available in several heights from 25 to 55 feet
- Designed to fit all Hali-Brite HBM beacons
- Mounting plate accommodates a lightning rod and one singular or dual L-810 obstruction light
- Easily raised and lowered by one person, using an internal hand-operated winch
- Removable winch handle
- Counter-weighted upper pole shaft
- Several finish options-prime coat, factory finish paint, hot-dip galvanizing, or self-weathering
- Ruggedized models available for coastal areas
- Manufactured in the USA



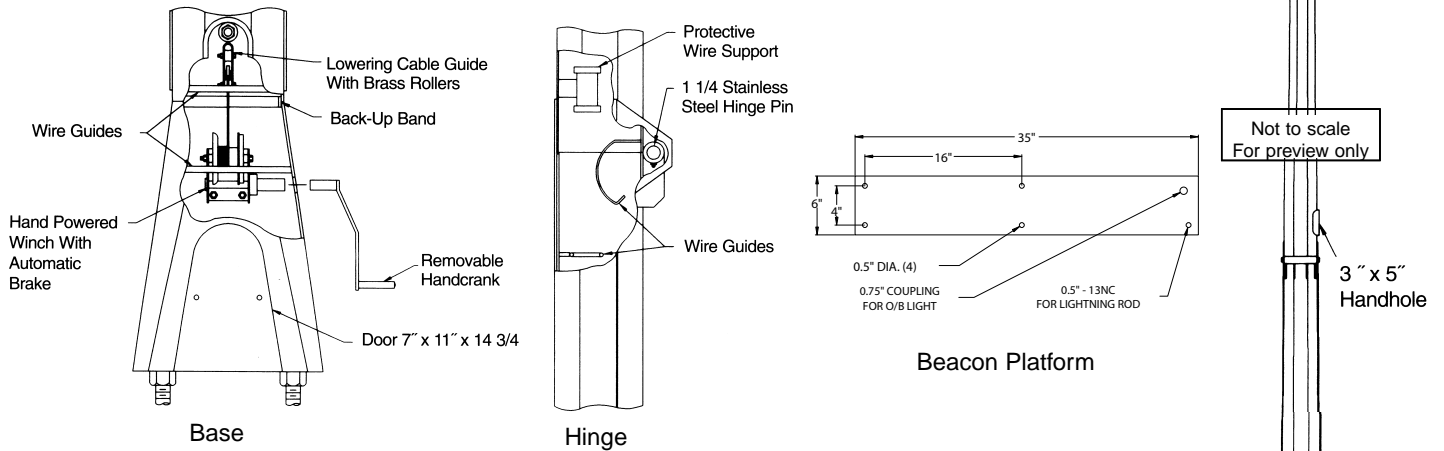
HALI-BRITE® INC.

P.O. BOX 10 • 925 1st ST SW
CROSBY, MN 56441

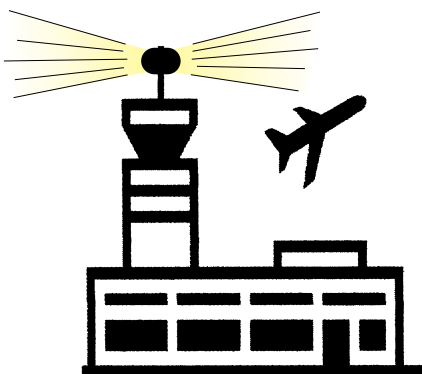
PHONE 1-800-553-6269 OR 218-546-7473 • FAX 218-546-6854
www.halibrite.com

The Halibrite Tipdown Pole is formed of high strength, 50,000 PSI, ASTM A572 high carbon or ASTM A588 self-weathering, American made steel. The shaft is a two section octagonal tapered structure with a counterweight and hinge. The top section of the shaft is "7" gauge and the bottom may be "7" or "3" gauge material. The counterweight is a five-sided section made of one gauge thicker material than the lower shaft. The top section/counterweight combination is attached to the bottom section utilizing a hinge which rotates on a 1 1/4" diameter stainless steel rod. The pole is lowered using a heavy duty hand-powered winch with an automatic brake and a removable hand crank, The winch drum is wound with 3/16" stainless steel aircraft cable rated for 350 lbs load. Wire guides are provided at the hinge joint and at the pole base to protect internal wiring during raising and lowering operations.

Pole Detail



Pole Dimensions								
Mounting Height	Part Number	Base	Top	EPA (Sq. Ft.)	Weight (Lbs.)	Gauge	Anchor Bolt Circle	Anchor Bolt Size
25'	8000-25TP	8.6"	5.0"	42	680	7	15"	1"x40"
30'	8000-30TP	8.6"	5.8"	32	760	7	15"	1"x40"
35'	8000-35TP	8.6"	5.0"	25	810	7	15"	1"x40"
40'	8000-40TP	10.6"	5.0"	31	970	7	15"	1 1/4"x48"
45'	8000-45TP	12.2"	5.8"	42	1550	7/3	17"	1 1/2"x60"
50'	8000-50TP	12.2"	5.0"	33	1660	7/3	17"	1 1/2"x60"
55'	8000-55TP	12.2"	5.0"	30	1760	7/3	17"	1 1/2"x60"



The information contained in this document is subject to change without notice.

HALI-BRITE® INC.

P.O. BOX 10 • 925 1st ST SW

CROSBY, MN 56441

PHONE 1-800-553-6269 OR 218-546-7473 • FAX 218-546-6854

www.halibrite.com