

**DCB-36 BD
BEACON**

Maintenance Manual




Hali-Brite®

**Hali-Brite®
L802A 36" Refurbished
Airport Rotating Beacon**

Sales and Technical Support:

1.800.553.6269

Sales@halibrite.com

 Hali-Brite, Inc.
1119 Madison Street
Brainerd, MN 56401

 www.halibrite.com

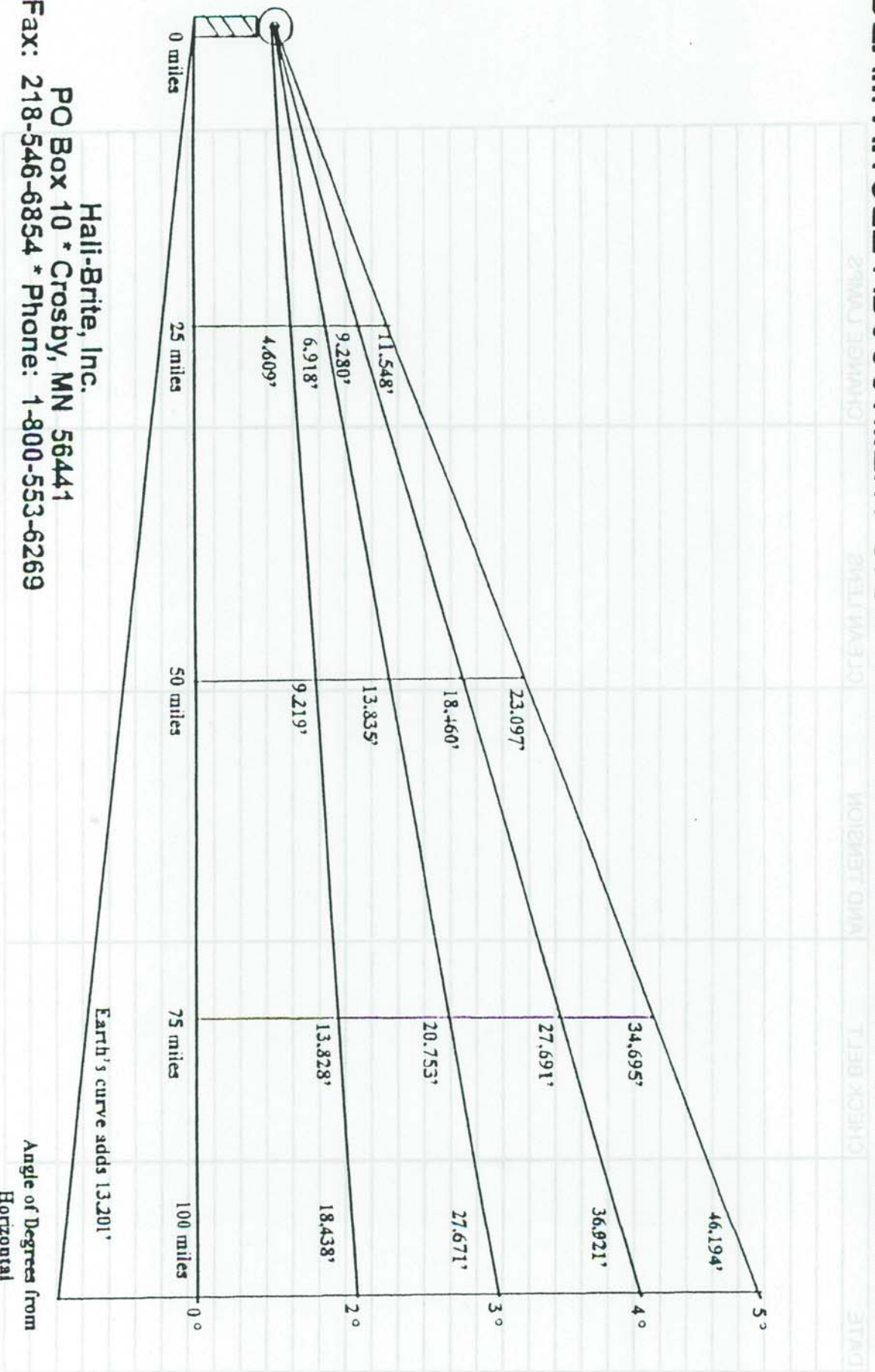
 Ph: 218.454.0956

 Fax: 218.454.0972

To adjust the beam angle of the beacon, follow these procedures

- (A) The lamp needs to be firmly screwed into the socket.
- (B) The lamp height is factory preset to 3-1/2 degrees elevation. The pointer on the lamp tube should be aligned to the dashed line on the elevation decal for 3-1/2 degrees.
- (C) To raise the beam, loosen the locking nut and bolt on the lamp stand. LOWER the lamp stand so the pointer aligns with the solid line indicating the desired elevation.
- (D) Retighten bolt and locknut.
- (E) If you have questions or problems, contact Hali-Brite 800-553-6269

BEAM ANGLE ADJUSTMENT GRAPH FOR ROTATING AIRPORT BEACONS



Hali-Brite, Inc.
 PO Box 10 * Crosby, MN 56441
 Fax: 218-546-6854 * Phone: 1-800-553-6269
 Web: www.halibrite.com

HALL-BRITE INC.

N36 1000W BELT DRIVE ASSEMBLY

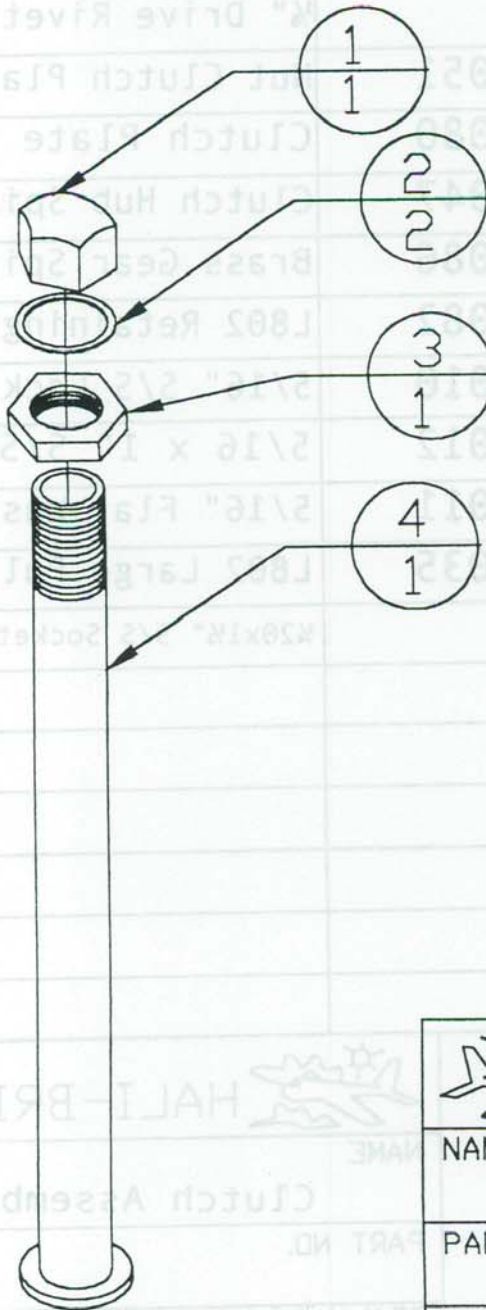
PARTS LIST

QTY	DESCRIPTION	UNIT	PRICE	TOTAL	QTY	DESCRIPTION	UNIT	PRICE	TOTAL
1	RETAINING RING L802		1.000	1.000	1	RETAINING RING L802		1.000	1.000
1	PARTS, BEACON, SPINDLE CAP		1.000	1.000	1	PARTS, BEACON, SPINDLE CAP		1.000	1.000
1	BOLT, HEX, 5/16-18 X 1"		3.000	3.000	1	BOLT, HEX, 5/16-18 X 1"		3.000	3.000
1	WASHER, FLAT, 5/16"		3.000	3.000	1	WASHER, FLAT, 5/16"		3.000	3.000
1	WASHER, LOCK, 5/16"		3.000	3.000	1	WASHER, LOCK, 5/16"		3.000	3.000

HALI-BRITE INC.
N36 1000W BELT DRIVE ASSEMBLY
PARTS LIST

Item ID	Item Description	Component ID	Component Description	Qty Needed
L802A3216BSS-1	N36,STD,CL2,120V,BD 1000W MH	0100-3000	L802 STD BELT DRIVE CLUCH ASSY	1.000
L802A3216BSS-1	N36,STD,CL2,120V,BD 1000W MH	0100-0036	PLATE MTG BLST DCB36BD/224BD	1.000
L802A3216BSS-1	N36,STD,CL2,120V,BD 1000W MH	0100-0038	BALLAST MTG BRKT DCB36 HB5005	2.000
L802A3216BSS-1	N36,STD,CL2,120V,BD 1000W MH	1064-0005-	CASTING MAIN N36 W/2 DOORS	1.000
L802A3216BSS-1	N36,STD,CL2,120V,BD 1000W MH	1064-0020	CASTING BED PLATE N36 88C0647	1.000
L802A3216BSS-1	N36,STD,CL2,120V,BD 1000W MH	1064-0021	CASTING ACCESSDOOR N36 88C0642	2.000
L802A3216BSS-1	N36,STD,CL2,120V,BD 1000W MH	1064-0022	CASTING SPIDER N36 88D0649	2.000
L802A3216BSS-1	N36,STD,CL2,120V,BD 1000W MH	1064-0023	CASTING BUCKET N36 88C0641	1.000
L802A3216BSS-1	N36,STD,CL2,120V,BD 1000W MH	1400-0005	CLAMP, CAPACITOR, DCB36	1.000
L802A3216BSS-1	N36,STD,CL2,120V,BD 1000W MH	4500-0010-1	PANEL, CONTROL,L802 (36) BD	1.000
L802A3216BSS-1	N36,STD,CL2,120V,BD 1000W MH	4400-0006	NUT, HEX, 10-32	6.000
L802A3216BSS-1	N36,STD,CL2,120V,BD 1000W MH	7300-0002	3/16" X 3/4" X 10' WEATHER STR	0.750
L802A3216BSS-1	N36,STD,CL2,120V,BD 1000W MH	7600-0022	SCREW MACHINE, 10-32 X 5/8"	4.000
L802A3216BSS-1	N36,STD,CL2,120V,BD 1000W MH	7600-0027	SCREW MACHINE, 10-32 X 3"	2.000
L802A3216BSS-1	N36,STD,CL2,120V,BD 1000W MH	0200-0006-	BALLAST, 1000W, 120VAC	1.000
L802A3216BSS-1	N36,STD,CL2,120V,BD 1000W MH	1066-0000-2	LAMP STAND 36 BD	1.000
L802A3216BSS-1	N36,STD,CL2,120V,BD 1000W MH	9800-0054	PC PAINT BEARING HUB	1.000
L802A3216BSS-1	N36,STD,CL2,120V,BD 1000W MH	0500-0003	BEARING, 62092RSR FAG-BTM THN	1.000
L802A3216BSS-1	N36,STD,CL2,120V,BD 1000W MH	0500-0004	BEARING, 6210.2RSR.C3 FAG TOP	1.000
L802A3216BSS-1	N36,STD,CL2,120V,BD 1000W MH	0900-0020	BOLT, HEX, 1/2-13 X 1 1/4"	4.000
L802A3216BSS-1	N36,STD,CL2,120V,BD 1000W MH	0900-0023	BOLT, HEX, 1/2-13 X 2 3/4"	12.000
L802A3216BSS-1	N36,STD,CL2,120V,BD 1000W MH	4400-0021	NUT, HEX, 1/2-13	19.000
L802A3216BSS-1	N36,STD,CL2,120V,BD 1000W MH	7200-0015	WASHER, FLAT, 1/2"	23.000
L802A3216BSS-1	N36,STD,CL2,120V,BD 1000W MH	7200-0016	WASHER, LOCK, 1/2"	19.000
L802A3216BSS-1	N36,STD,CL2,120V,BD 1000W MH	1017-0001	ROD, THREADED, 1/2-13X6	0.500
L802A3216BSS-1	N36,STD,CL2,120V,BD 1000W MH	2800-0001	LEFT SECTOR	12.000
L802A3216BSS-1	N36,STD,CL2,120V,BD 1000W MH	2800-0002	RIGHT SECTOR	12.000
L802A3216BSS-1	N36,STD,CL2,120V,BD 1000W MH	2800-0003	BULLSEYE	2.000
L802A3216BSS-1	N36,STD,CL2,120V,BD 1000W MH	2800-0011	INNER LENS GREEN	1.000
L802A3216BSS-1	N36,STD,CL2,120V,BD 1000W MH	2800-0033	LENS, DCB-36, INNER CLEAR	1.000
L802A3216BSS-1	N36,STD,CL2,120V,BD 1000W MH	0100-0070	GLASS CLIP L802 BOTTOM	24.000
L802A3216BSS-1	N36,STD,CL2,120V,BD 1000W MH	0100-0071	GLASS CLIP L802 TOP	24.000
L802A3216BSS-1	N36,STD,CL2,120V,BD 1000W MH	7600-0021	SCREW MACHINE, 10-32 X 1/2"	48.000
L802A3216BSS-1	N36,STD,CL2,120V,BD 1000W MH	7200-0005	WASHER, FLAT, #10	48.000
L802A3216BSS-1	N36,STD,CL2,120V,BD 1000W MH	9800-0024	DCB36 - DOORS, PWD CT ORANGE	2.000
L802A3216BSS-1	N36,STD,CL2,120V,BD 1000W MH	9800-0025	DCB36 - OTR RNG, PWD CT ORANGE	2.000
L802A3216BSS-1	N36,STD,CL2,120V,BD 1000W MH	9800-0026	DCB36 - CTR SCT, PWD CT ORANGE	1.000
L802A3216BSS-1	N36,STD,CL2,120V,BD 1000W MH	9800-0027	DCB36 - BASE, PWD CT ORANGE	1.000
L802A3216BSS-1	N36,STD,CL2,120V,BD 1000W MH	9800-0028	DCB36 - BASE BTM-PWD CT ORANGE	1.000

Item	Qty	Part No	Name
1	1	4400-0025	Nut, cap
2	2	7200-0024	Washer
3	1	4400-0026	Lock nut
4	1	0100-0041	Beacon Leg
5	1	0100-0050	Insert
6	1	1023-0000	Plating



 HALI-BRITE, inc		
NAME Beacon Leg		
PART NO. 3500-0002-1		
DRAWN BY	DATE	CHG
LINDY ELLENBAUM	3/99	00
SHEET 1 OF 1		

ITEM	QTY	PART NO.	NAME
1	1	2600-0004-1	Gear Timing
2	8	7600-0029	10-32 x 4" S/S Screw
3	8	7200-0006	#10 S/S Lock Washer
4	8		10-32 S/S Plain Nut
5	3		3/8" Drive Rivet
6	1	0100-0051	Nut Clutch Plate
7	1	0100-0080	Clutch Plate
8	1	0100-0047	Clutch Hub Spindle
9	1	0100-0086	Brass Gear Spindle Cap
10	1	0100-0082	L802 Retaining Ring
11	3	0900-0010	5/16" S/S Lock Washer
12	3	7200-0012	5/16 x 1" S/S Bolt
13	3	7200-0011	5/16" Flat Washer
14	1	0100-0035	L802 Large Pulley Spacer
15	1		1/20x1 1/2" S/S Sockethead Screw



HALI-BRITE, inc

NAME

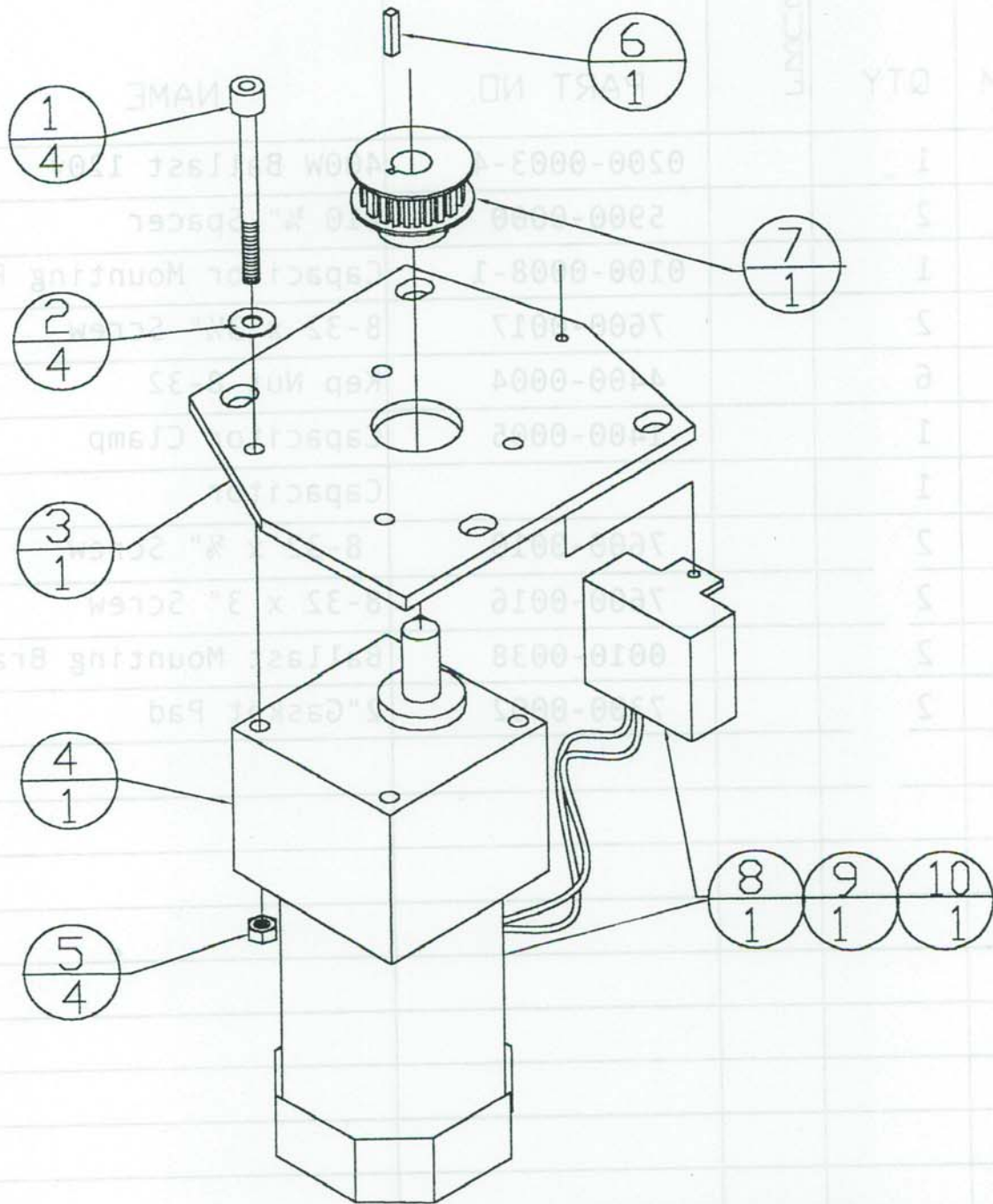
Clutch Assembly

PART NO.

DRAWN BY
LINDY ELLENBAUM

DATE - CHG
00

SHEET 2 OF 2



HALI-BRITE, inc

NAME

PART NO.

DRAWN BY
LINDY ELLENBAUM

DATE CHG

SHEET OF

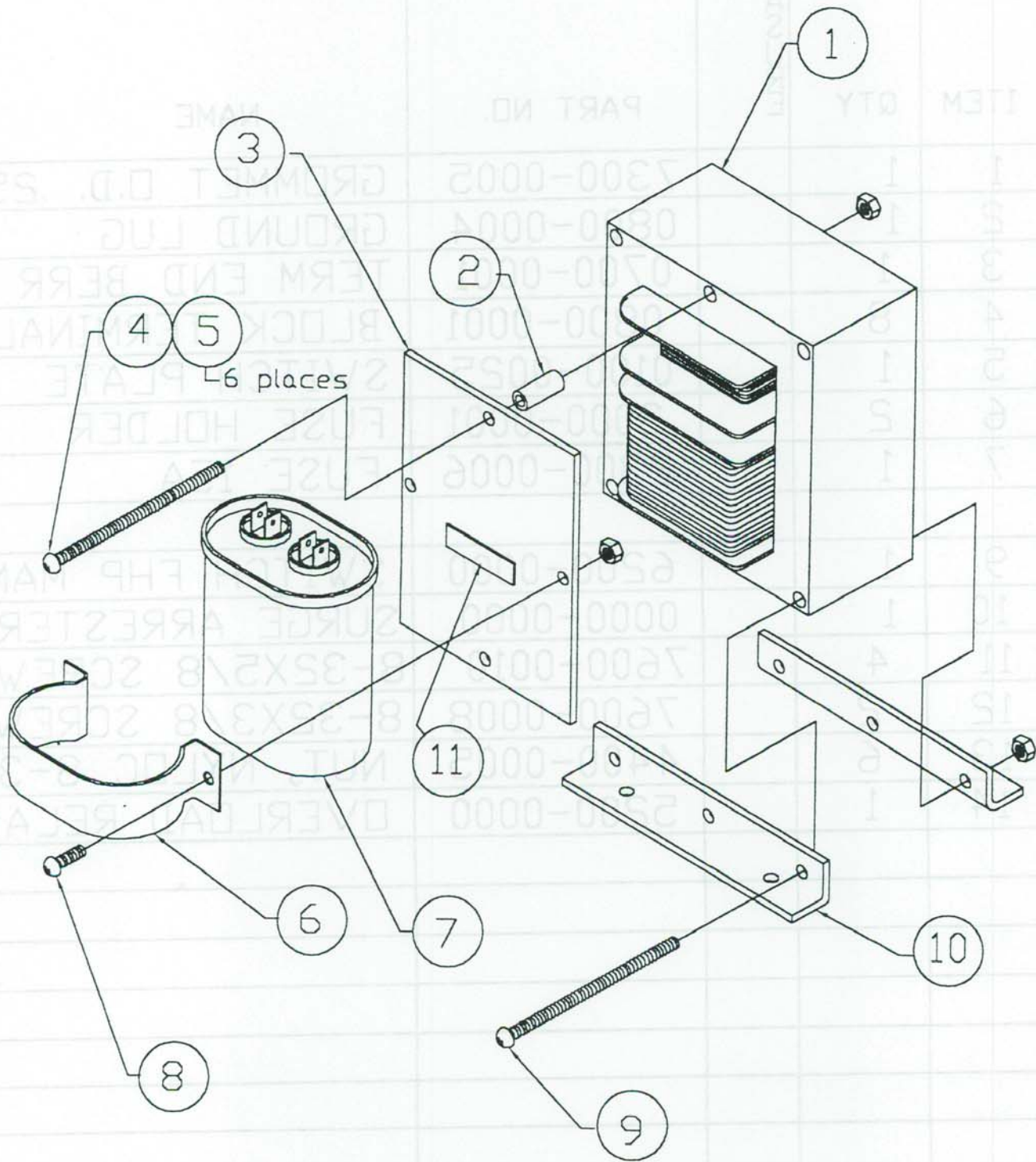
MATL

HALI-BRITE, inc
 Balast Parts List 400W
 PART NO. 2100-0120
 DRAWN BY LINDY ELLENBAUM
 DATE - CHG 00
 SHEET 5 OF 5

ITEM	QTY	PART NO.	NAME
1	1	0200-0003-4	400W Ballast 120v
2	2	5900-0000	#10 3/4" Spacer
3	1	0100-0008-1	Capacitor Mounting Plate
4	2	7600-0017	8-32 x 3 1/2" Screw
5	6	4400-0004	Kep Nut 8-32
6	1	1400-0005	Capacitor Clamp
7	1		Capacitor
8	2	7600-0010	8-32 x 5/8" Screw
9	2	7600-0016	8-32 x 3" Screw
10	2	0010-0038	Ballast Mounting Bracket
11	2	7300-0002	2" Gasket Pad
12			

NAME _____
 PART NO. _____
 DRAWN BY _____
 LINDY ELLENBAUM
 DATE _____
 SHEET _____
 OF _____
 MATL _____


HALI-BRITE, inc
 NAME
 Ballast Parts List 400W
 PART NO. **2100-0120**
 DRAWN BY _____ DATE _____ CHG _____
 LINDY ELLENBAUM _____ 00
 SHEET 2 OF 2



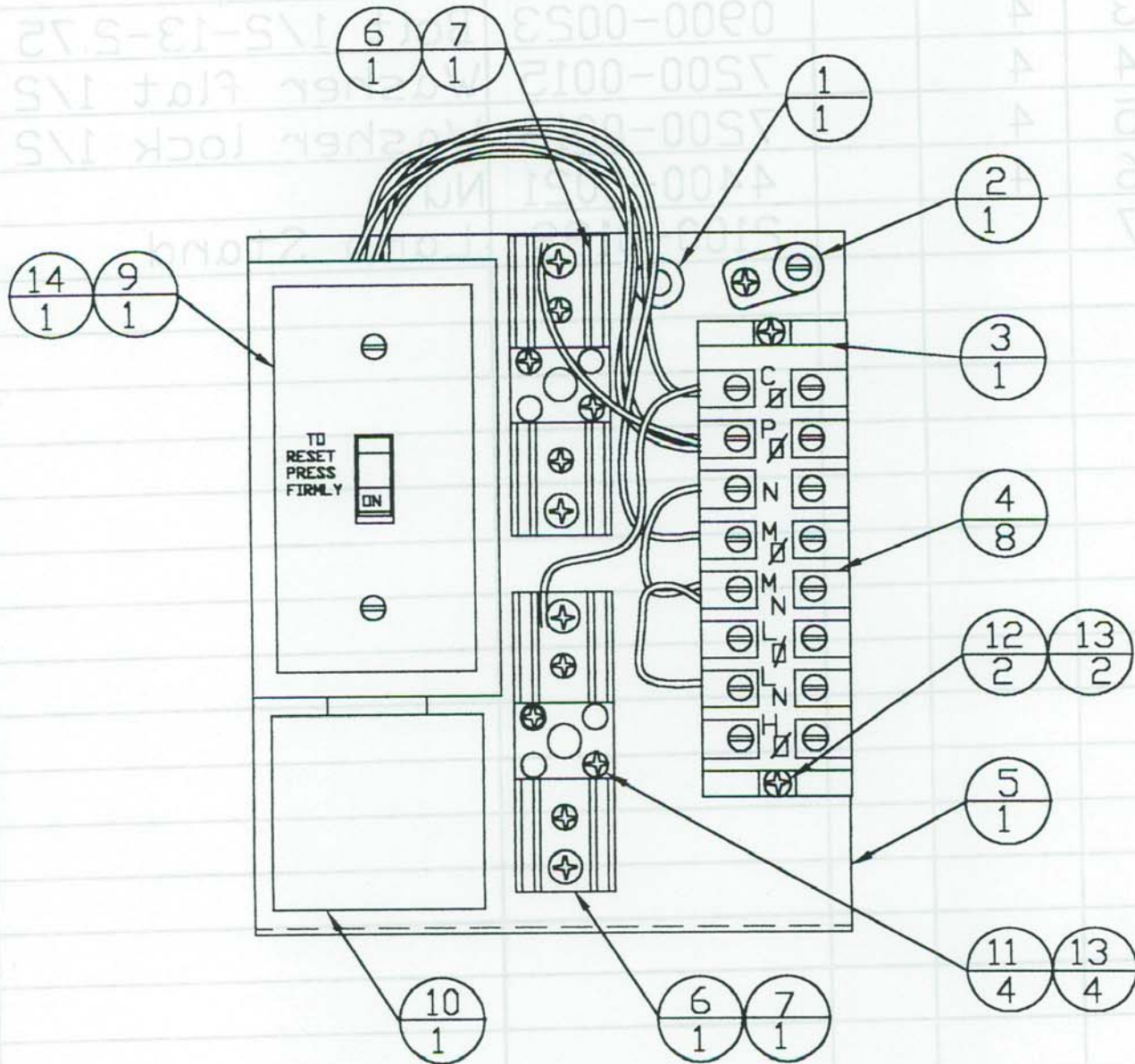
SHEET 5 OF 5
 DRAWN BY LINDY ELLENBAUM
 DATE CHG 2/28/00
 PART NO. 2100-0003-1
 NAME CONTROL PANEL
 HALI-BRITE, inc

 HALI-BRITE, inc		
NAME		
Ballast assy 400W		
PART NO. 2100-0120		
DRAWN BY	DATE	CHG
LINDY ELLENBAUM	1/99	00
SHEET 1 OF 2		
MATL		

ITEM	QTY	DESCRIPTION	PART NO.	NAME
1	1		7300-0005	GROMMET O.D. .25
2	1		0800-0004	GROUND LUG
3	1		0700-0001	TERM END BERR
4	8		0800-0001	BLOCK TERMINAL
5	1		0100-0025	SWITCH PLATE
6	2		3000-0001	FUSE HOLDER
7	1		2300-0006	FUSE 15A
9	1		6200-0000	SWITCH FHP MAN
10	1		0000-0000	SURGE ARRESTER
11	4		7600-0010	8-32X5/8 SCREW
12	2		7600-0008	8-32X3/8 SCREW
13	6		4400-0005	NUT, NYLOC 8-32
14	1		5200-0000	OVERLOAD RELAY

HALI-BRITE, inc
 Ballast Assy 400W
 PART NO. 5100-0150
 DRAWN BY LINDY ELLENBAUM
 DATE 1/22/00
 SHEET 1 OF 5
 DATE

 HALI-BRITE, inc
 NAME CONTROL PANEL
 L802 (224BD)
 PART NO. 4500-0009-1
 DRAWN BY LINDY ELLENBAUM DATE 9/98 CHG 00
 SHEET 2 OF 2



NAME Beacon Base Assy (36BD)
 PART NO. 5100-0500
 DRAWN BY LINDY ELLENBAUM
 DATE 12/98 00
 CHG
 SHEET 5 OF 5


HALI-BRITE, inc
 NAME CONTROL PANEL L802 (224BD)
 PART NO. 4500-0009-1
 DRAWN BY LINDY ELLENBAUM DATE 8/98 00
 SHEET 1 OF 2
 MATL

NOZ	ITEM	QTY	REVISION	PART NO.	NAME
	22	1		1027-0024	Shaft Gp
	23	4		0900-0023	Bolt 1/2-13-2.75
	24	4		7200-0015	Washer flat 1/2
	25	4		7200-0016	Washer lock 1/2
	26	4		4400-0021	Nut
	27			2100-0199	Lamp Stand

HALI-BRITE, inc
 FIVE CONTROL PANEL L80S
 (36BD)
 PART NO. 4200-0009-1
 DRAWN BY LINDY ELLENBAUM
 DATE 08/98
 SHEET 1 OF 2


HALI-BRITE, inc
 NAME Beacon Base assy
 (36BD)
 PART NO. 2100-0200
 DRAWN BY LINDY ELLENBAUM DATE 12/98 CHG 00
 SHEET 2 OF 2

NOZ	ITEM	QTY	DESCRIPTION	PART NO.	NAME
	1	1		1027-0022	Bed plate
	2	1		1027-0023	Bottom pan
	3	3		3500-0002-1	Beacon Leg Gp
	4	1		0100-3000	Belt Drive Gp
	5	3		1017-0007	Support rod
	6	9		4400-0021	Nut 1/2-13 ss
	7	6		7200-0015	Washer flat 1/2
	8	3		7200-0016	Lock Washer 1/2
	9	1		0100-0036	Mounting plate
	10	1		4500-0010-1	Control pan assy
	11	2		4400-0007	Nut 10-32
	12	2		7600-0022	Screw 10-32-5/8
	13	1		0100-0055-1	Center Shaft
	14	2		4400-0044	Nut lock 1/2
	15	1		4100-0007-1	Motor Gp
	16	4		0100-0045	Spacer
	17	4		0900-0048	Stud bolt
	18	4		4400-0017	Nut
	19	4		7200-0011	Washer flat ss
	20	4		7200-0012	Washer lock ss
	21	1		0600-0001	Drive Belt



HALI-BRITE, inc

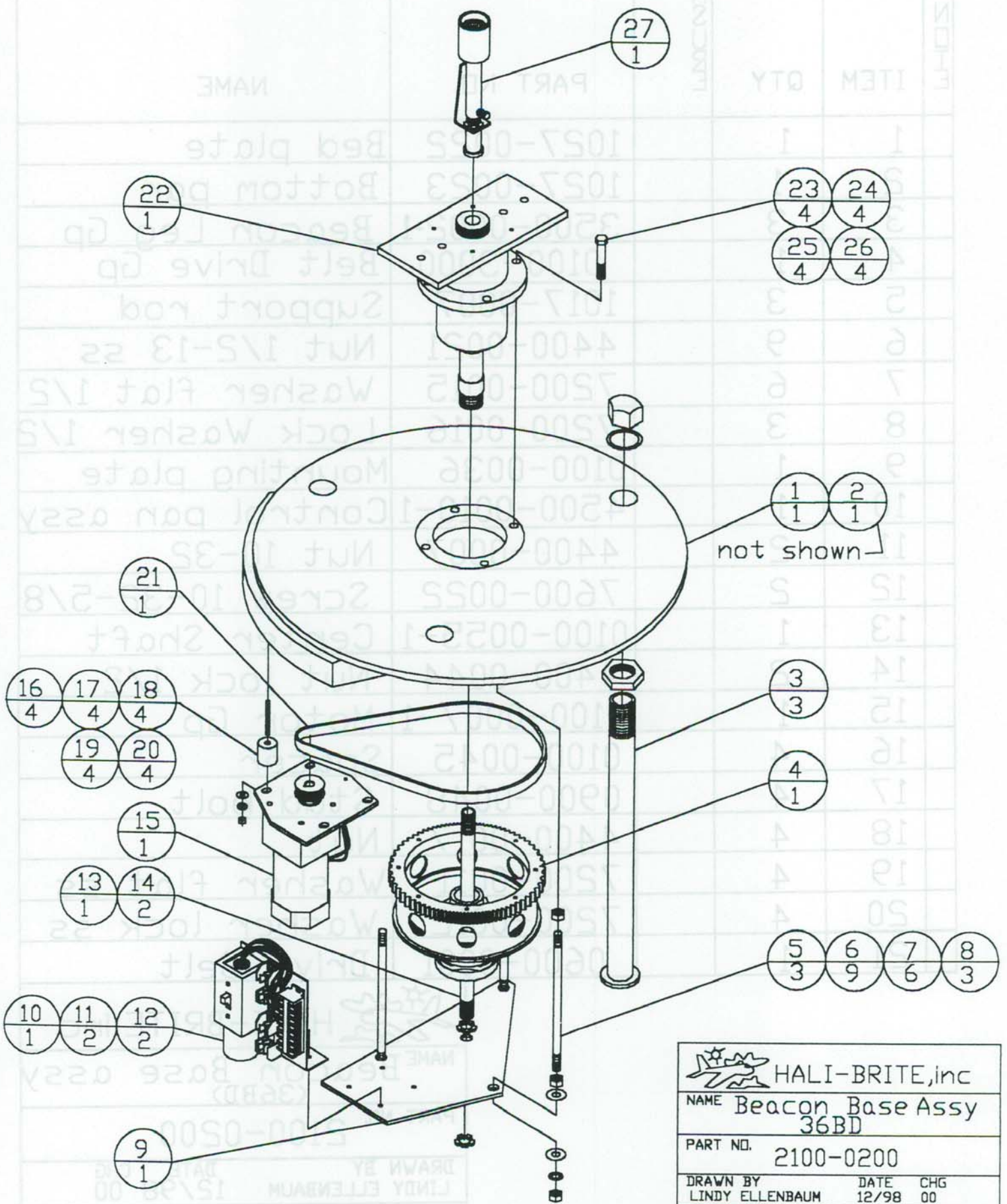
NAME Beacon Base assy
(36BD)

PART NO. 2100-0200

DRAWN BY LINDY ELLENBAUM DATE 12/98 CHG 00

SHEET 1 OF 2

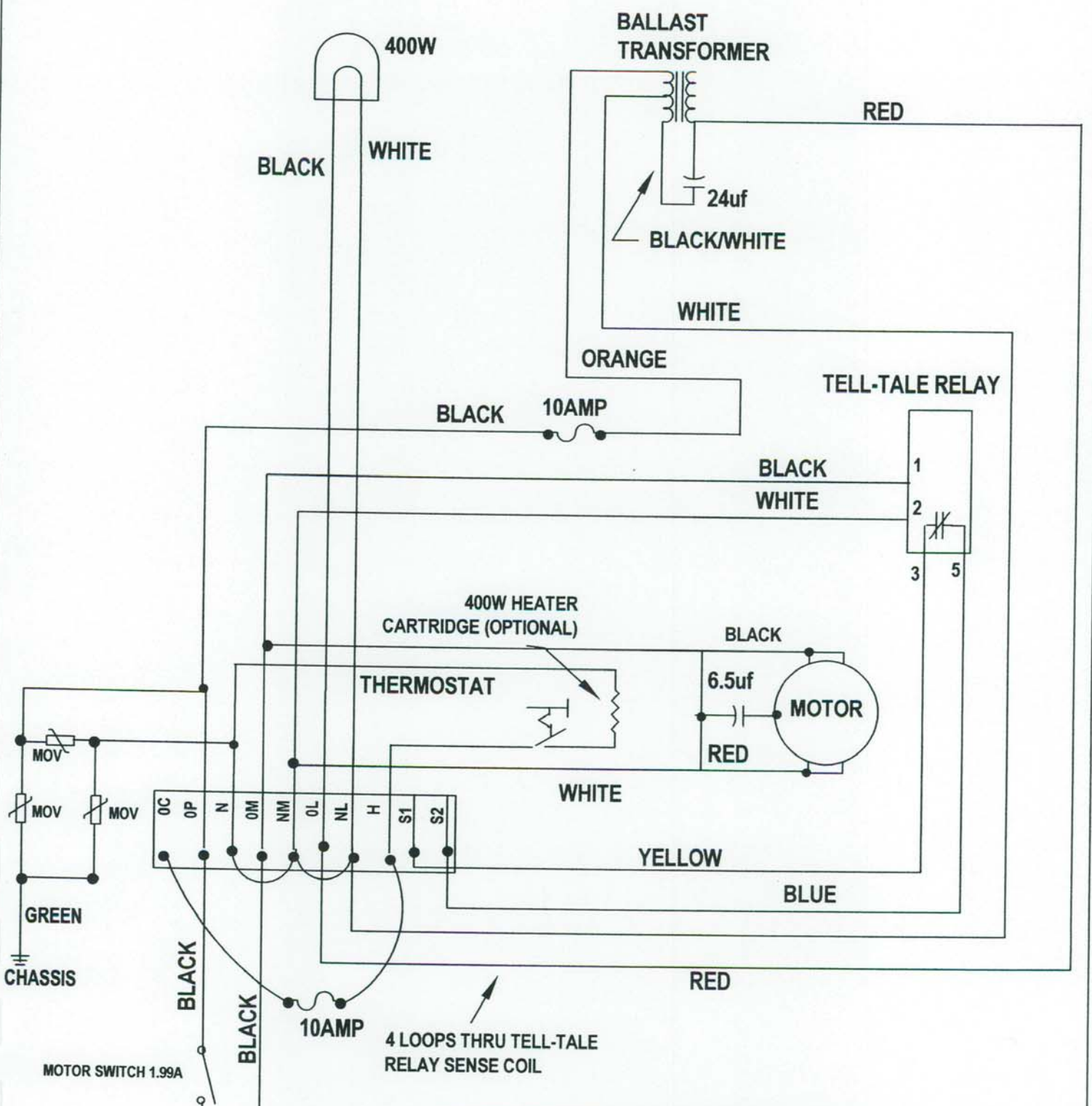




		
NAME Beacon Base Assy 36BD		
PART NO. 2100-0200		
DRAWN BY	DATE	CHG
LINDY ELLENBAUM	12/98	00
SHEET 1 OF 3		
MATL		

DIMENSION	TOLERANCE
X.XXX	+/- 0.005
X.XX	+/- 0.015
X.X	+/- 0.050
ANGLE	+/- 2°

ZONE		REV	DESCRIPTION	DATE	APPROVED
N/A	0		Original Release	6-16-04	N/A
N/A	1		ADDED SWITCH FOR RELAY	11-9-2005	N/A
N/A	2		Replaced Delta W/MOVs	02-06-08	N/A



 HALI-BRITE, INC.	FILE NAME: HB_2000_0028_R2		
	NAME: DCB 36 120V 60HZ CL2 TT (NEW TT 5200-0061) HEATER OPTIONAL		
P.O. Box 10 Crosby, MN 56441	SIZE A	FSCM NO.	PART NO. 2000-0028
Drawn By: Lori Cross	SCALE N/A	DATE 6-16-02	REV 2
		SHEET	1 OF 1

SECTION III – MAINTENANCE

Periodic Inspection

A maintenance chart is provided with each beacon. A system of periodic maintenance should be established. We suggest a semi-annual inspection for belt tightness, clutch tension and glass cleaning.

Re-lamping

The metal halide bulb needs to be replaced every 2½ years even if it does not look like it needs replacing. This lamp is a 20,000 hour lamp, but the output of the bulb decreases after a couple of years and needs to be brought back up to 36,000 lumens of light. The lamp for the DCB-36BD beacon is a MVR 400/U.

Lubrication

Motor lubrication is not necessary since the motor has sealed bearings. The belt drive system needs no maintenance other than to check for belt tightness. The spindle of the beacon is also a sealed unit and needs no further lubrication.

Slip Rings and Brushes

The slip rings and brushes have been eliminated from this model.

Clutch Adjustment

To adjust the clutch, loosen the setscrew and turn the hex nut clockwise to increase tension; counter clockwise to decrease tension. The adjusting hex nut is 3 ¼ inches. Tighten the setscrew after adjusting. Test the torque by hooking a spring scale (fish scale) onto one of the handles on the side of the beacon housing. The reading should be 12-16 lbs at 2 feet for proper tension. Be sure to hold the scale in a horizontal position approximately tangent to the surface of the housing.

Focusing

Focusing in the field is necessary only when the lamp stand has been disturbed in some manner. The beam angle is pre-set at the factory to the FAA standard 3½ degrees up. The lamp stand can be raised or lowered by loosening the setscrew in the middle of the lamp stand. The lamp stand has calibration markings for ease of adjustment. The markings are ¼ inch calibrations that equate to 1 degree of beam angle adjustment. TO raise the beam angle up one degree, lower the lamp stand ¼ inch — conversely, to lower the beam angle, raise the lamp stand up one calibration mark. There is NO REASON to raise the lamp stand beam angle more than 5 degrees.

Belt Replacement

The belt drive system for the beacon is a Hali-Brite Patent #08016,787. Changing the belt on the drive system involves removing the wires that come from the lamp stand and photocell. Disconnect the wires at the terminal strip — mark them — then mark and remove the complete lamp stand assembly by unscrewing the lower lamp stand tube from the lower mounting plate, pulling the wires completely out of the unit. Slip the belt between the base plate and the rotating spindle. Then place the new belt first on the motor. Next rotate the beacon head and feed the belt onto the large spindle drive gear. Then reassemble the lamp stand to the previously made mark, tighten the lock nuts and reattach the wiring to the terminal lugs.

HALI-BRITE INC.

MAINTENANCE INFORMATION DCB-36 BD (BELT DRIVE)

These are the most important maintenance procedures for keeping your DCB-36BD beacon in top running condition.

1. The beacon's gear belt drive system needs to be inspected twice a year to insure proper belt tension (Check maintenance procedure in manual).
2. Clean all lenses inside and out twice a year.
3. Every 2½ years, replace the metal halide lamp in the beacon. This keeps the beacon burning at the proper intensity. Use a GE MVR 400/U lamp (or equivalent) for replacement.
4. Remind your controllers or other operations people that the metal halide lamp takes 4-5 minutes to come to complete brightness. If the beacon has been on and is shut off during operation, it will take 12-15 minutes to cool off and it will then refire by itself.
5. Loosening the 7/16" bolt on the lamp stand inside the beacon makes the lamp adjustment for the beam angle. There are one-degree markings on the lamp stand. To raise the beam one degree, lower the lamp one mark. To lower the beam one degree, raise the lamp one mark.

These simple procedures will keep your beacon turning and burning brightly for many years.



Motor

Oriental Motor Company makes the standard motor. This is a Thermal-protected motor with class F insulation for extended motor life. The unit is a UL/CSA approved 120V, single phase, 90 watt motor & gear head, connected to the main shaft via a synchronous belt (Hali-Brite Patent #80816,787). This system revolves as 12 rpm. There are no slip rings or brush assemblies required. The power is fed directly to a stationary lamp from the terminal strip.

Clutch

The adjustable clutch is set by the factory to release at 12-16 lbs. at two feet. The clutch is to protect the motor and drive assembly on start-up. It is also a safety factor. The beacon drum will stop if it catches someone who is working on the beacon.

SECTION II – INSTALLATION AND OPERATION

PREPARATION FOR USE:

Uncrating - Your beacon is shipped in a wooden crate and is braced to prevent damage in shipping. The beacon is bolted to the pallet with three 5/8" bolts that attach directly into the beacon legs. The other bracing needs to be removed to free up the beacon for lifting.

Take care in moving the beacon as the glass and lenses are extremely expensive. The beacon should be lifted using nylon sling straps. This will make for a safe and secure lift by a crane.

When lifting a three-legged base beacon, loosen the three leg caps so that they may be more easily moved into place on top of the tower. We suggest using stainless steel or cad plate 5/8" hex head bolts with lock washers to fasten the beacon to the tower mounting plate. There is a flat surface on the base of either style beacon base. A small level or bubble level should be placed on this area to check that the beacon is level on the tower. If the beacon isn't level it will affect the angle of the beam and throw off the performance of the beacon.

Wiring the beacon is quite simple. The bottom pan of the beacon needs to be removed (if triangular base, remove the door). The terminal board has a fuse system for the light only. The power wires should come up through the bottom center on a triangular base and through an access hole above the pan on a three-legged beacon. The power wires should come from a breaker box attached to the top of the tower. Number 10 wire should then be fed through the conduit into the beacon base. The tower should be grounded. We provide a terminal lug for grounding the beacon. 120 volts power the beacon. It is important to connect the neutral wire and the power wire correctly to the terminal board as marked. Note that there are two additional devices connected in the circuit, a motor protector and a lightning arrester. We have also added a terminal lug for connecting the tower obstruction lights. A photocell has been added to the lamp stand inside the beacon housing to activate the tower obstruction lights in case the beacon lamp fails. The photocell will then turn on the obstruction lights.

Check that the bulb is tight in the lamp stand. Secure the doors to the beacon tightly. One of the major problems of any beacon is letting water into the main housing.

To test the beacon, flip the switch in the base of the beacon to the ON position then flip on the breaker in the tower breaker box. The beacon motor should come on immediately. The metal halide lamp will take a few seconds to light. Metal halide lamps take about 4-5 minutes to come to full brightness. If the unit is shut down after it has been burning, it will take 10-15 minutes for the lamp to relight. The lamp will re-fire without resetting the breakers when the thermal couple activates the lamp.







Hali-Brite®

Sales and Technical Support:

1.800.553.6269

Sales@halibrite.com

 Hali-Brite, Inc.
1119 Madison Street
Brainerd, MN 56401

 www.halibrite.com
 Ph: 218.454.0956
 Fax: 218.454.0972

MAINTENANCE MANUAL DCB-36DB

SECTION I – DESCRIPTION

GENERAL

This bulletin provides instructions for the installation, operation and maintenance of the DCB-36BD (HALI_BRITE PATENT #08016,787) aviation type beacon. The type DCB-36BD is equipped to project two separate beams of light 180 degrees apart. The beacon has a single stationary metal halide lamp. The lamp stand unit is stationary and has a single 36" drum that uses a twin lens focusing system that revolves around the lamp. This unit also has a synchronous belt drive system (HALI-BRITE PATENT #08016,787) as opposed to the old gear drive system. The beacon revolves at a speed of 12 RPM.

DETAILED DESCRIPTION

Optical Assembly

The optical assembly consists of two housings opposite each other. Each outer housing consists of 12 sector lenses and one bulls-eye lens. The main, center drum of the beacon houses one inner, clear doublet and one inner, green doublet held by an aluminum spider assembly.

Lamp Mechanism

Hali-Brite Patent #08016,787 gives us the exclusive feature of a stationary lamp system that eliminates the need for slip rings and brushes. The lamp stand is mounted to the base of the beacon so that the beacon housing revolves around the lamp stand.

The old style lamp changer mechanism of the earlier models is replaced with a metal halide lamp fixture that holds only one metal halide lamp. The system does not need a secondary lamp holder as the metal halide lamps are 20,000-hour life expectancy and should be replaced every two and a half years. The MVR400/U lamps produce 36,000 lumens of light. The old incandescent 1000-watt lamps produced 22,000 lumens of light. The metal halide lamps will burn down to around 22,000 lumens of light after 2 ½ years of service at which time they should be replaced with a new lamp.

Turntable and Mounting Assembly

The component parts of this assembly are mounted on a cast aluminum bedplate that is supported by three adjustable legs. (Airway beacons are an exception as they are a solid triangular style base with three access doors that are bolted to the base.) Either base will mount on a tower using the same bolt pattern. The only thing that is different is the electrical connection setup.

The main shaft of the turntable is supported at the top and bottom by sealed ball bearings.

disturbances, fires, floods, epidemics, war, riot, or embargoes, breakdowns, lack of or inability to obtain raw materials, components, labor, fuel or supplies, lack of shipping space, lack of customer approvals, correction or clarification of orders, governmental regulations, acts of God, or any circumstances beyond the control of Hali-Brite.

- g) Orders received with a "HOLD" (for release, for approval, etc.) are not processed for manufacture until release is given. Normal shipping time will apply starting from time of release.

Note 7) STANDING INSTRUCTION

Hali-Brite cannot accept standing, general, or blanket instructions. Each transaction must be accompanied by full instructions on the order itself.

Note 8) RETURN OF MATERIAL

Material may be returned for credit only when authorized in writing by Hali-Brite.

Note 9) GOVERNMENT RESTRICTIONS

The acceptance, processing and fulfillment of orders will be subject to and contingent upon restrictions and conditions imposed by the governments having jurisdiction over points of manufacture or passage of the merchandise.

Note 10) LIMITED WARRANTY

Products (excluding lamps) of Hali-Brite's manufacture are warranted against defects in workmanship and material for a period of one year (labor only), and two years (material) from date of shipment from the factory, provided that no warranty is made with respect to: (a) any product which has been repaired or altered in such way, in Hali-Brite's judgment, as to affect the product adversely, (b) any product which has, in Hali-Brite's judgment, been subjected to negligence, accident, or improper storage, (c) any product which has not been operated and maintained in accordance with normal practice and in conformity with recommendations and published specifications of Hali-Brite, and (d) any products, component parts or accessories manufactured by others but supplied by Hali-Brite (any claims should be submitted directly to the manufacturer thereof). THE FOREGOING WARRANTY IS EXCLUSIVE AND IN LIEU OF ALL OTHER WARRANTIES, WHETHER EXPRESS, IMPLIED OR STATUTORY, INCLUDING, BUT NOT BY WAY OF LIMITATION, ANY WARRANTY OF MERCHANTABILITY OR FITNESS FOR ANY PARTICULAR PURPOSE. HALI-BRITE'S OBLIGATION UNDER THIS WARRANTY IS LIMITED TO THE FURNISHING OF NEW PARTS FREE OF CHARGE IN EXCHANGE FOR PARTS WHICH HAVE PROVEN DEFECTIVE AND DOES NOT INCLUDE ANY OTHER COSTS SUCH AS THE COST OF REMOVAL OF DEFECTIVE PARTS, INSTALLATION, LABOR, OR ANY OTHER DAMAGES OF ANY KIND, THE EXCLUSIVE REMEDY OF THE PURCHASER FOR BREACH OF WARRANTY BEING TO REQUIRE SUCH NEW PARTS TO BE FURNISHED. Hali-Brite assumes no responsibility for proper selection and installation of its products.

Note 11) EXCLUSIVITY OF REMEDY; LIMITATION OF LIABILITY

Hali-Brite's entire liability and customer's exclusive remedy shall be as follows: In the event that customer claims that Hali-Brite has breached any of its obligations under this agreement, whether of warranty or for any cause whatsoever, whether in contract or in tort, including negligence and strict liability, Hali-Brite may request the return of the products and tender to customer the purchase price paid therefore, and in such event, Hali-Brite shall have no further obligations under this agreement except to refund such purchase price upon redelivery of the products. THE REMEDIES PROVIDED FOR IN THIS AND THE PRECEDING PARAGRAPH SHALL CONSTITUTE THE SOLE RECOURSE OF CUSTOMER AGAINST HALI-BRITE FOR BREACH OF ANY OF HALI-BRITE'S OBLIGATIONS UNDER THIS AGREEMENT, WHETHER THE CLAIM IS MADE IN TORT OR CONTRACT, INCLUDING CLAIMS BASED ON WARRANTY, NEGLIGENCE, STRICT LIABILITY, OR OTHERWISE. IN NO EVENT SHALL HALI-BRITE BE LIABLE FOR SPECIAL, INDIRECT, INCIDENTAL OR CONSEQUENTIAL DAMAGES (REGARDLESS OF THE FORM OF ACTION, WHETHER IN CONTRACT OR TORT, INCLUDING NEGLIGENCE AND STRICT LIABILITY) NOR FOR LOST PROFITS, NOT SHALL HALI-BRITE'S LIABILITY FOR ANY CLAIMS OR DAMAGES ARISING OUT OF OR CONNECTED WITH THIS AGREEMENT OR THE MANUFACTURE, SALES, DELIVERY OR USE OF THE PRODUCTS EXCEED THE PURCHASE PRICE OF THE PRODUCTS.

Note 12) CHANGES; ENTIRE AGREEMENT; GOVERNING LAW

These Standard Terms and Conditions of Sales, together with Hali-Brite's acknowledgment of customer's order, contain the entire agreement between the customer and Hali-Brite and may not be modified, waived, rescinded, or terminated in whole or in part except by a writing signed by the party against whom it is to be enforced. Any different or additional terms and conditions proposed by customer in its order or otherwise are hereby rejected by Hali-Brite and shall not be incorporated into this agreement. This agreement shall be governed by and interpreted in accordance with the laws of the State of Minnesota, including its provisions of the Uniform Commercial Code. In the case of export orders, Hali-Brite and customer agree that such laws shall govern the parties' agreement instead of the provision of the 1980 U.N. Convention on Contracts for the International Sales of Goods.

Note 13) IMPORTANT NOTICE

The product information published in our catalogs and literature is not guaranteed. It has been compiled with care and is sufficiently accurate for most purposes. It is subject to change without notice. Occasionally it may be necessary to modify the materials, finishes, or other components of the product without reducing the performance or function of the product.

Note 14) CONFIDENTIAL INFORMATION

The customer agrees that it will not disclose to Hali-Brite any confidential information of customer unless Hali-Brite has, prior to such disclosure, agreed in writing to accept such information as confidential under clearly defined obligations of confidence. The customer agrees that all information disclosed by it (except such information as is specifically subject to a written confidentiality agreement which has been executed by Hali-Brite prior to such disclosure) is non-confidential information, and that Hali-Brite is free to use and disclose any of such information without accounting to customer therefore. Hali-Brite shall not be obligated to treat as confidential any information already known by it, or information that is or becomes public knowledge without the fault of Hali-Brite, or information that is properly acquired by Hali-Brite from a third party.

Note 15) PATENTS

Hali-Brite expressly disclaims any warranty that the products sold to customer do not infringe any intellectual property right of any third party, including, without limitation, any patent granted to such third party by any governmental or other body.

Note 16) ASSIGNMENT

This agreement is not assignable without the prior written consent of Hali-Brite. Any attempt by the customer to assign any of the rights, duties, or obligations of this agreement without such consent shall be void.

END OF DOCUMENT

Hali-Brite, Inc.
Standard Terms and Conditions of Sale
January 1, 2002

Note 1) ACCEPTANCE OF ORDERS

- a) Unless otherwise specifically agreed in-writing by an authorized representative of Hali-Brite ("Hali-Brite"), the following terms and conditions of sale shall apply to all contracts resulting from Hali-Brite's acceptance of customer's order for products, materials, supplies, components, drawings, data or any other items. All quotations and bids, and the acceptance of all contracts and orders, are subject to final written approval and acceptance by the home office of Hali-Brite in Crosby, Minnesota.
- b) Hali-Brite will accept orders and bill in accordance with published prices in Hali-Brite's current price list and terms found herein, even though incorrect or conflicting prices and terms may appear on the customer's purchase order.
- c) Prices are stated in U.S. dollars, are exclusive of sales, use, excise or similar taxes, and are subject to any price adjustment necessitated by Hali-Brite's compliance with applicable laws or any act of government.

Note 2) TERMS

DOMESTIC ORDERS

Payment terms are net 30 days after date of invoice. Hali-Brite reserves the right to modify or withdraw credit terms at any time without notice and to require guarantees, security or payment in advance of the amount of credit involved or payment in advance of shipment of products if the customer fails to fulfill the terms of payment. Hali-Brite may defer further shipments to the customer or, at its option, cancel the unshipped portion of the customer's order. The customer agrees to pay interest on all past due invoices at the rate of 1% per month. Payments are to be in United States currency.

EXPORT ORDERS

Unless Hali-Brite has agreed in writing to extend credit, the customer shall make payment for export orders as follows:

- a) Payment must be made through a letter of credit, established by the customer at its own expense, including any bank confirmation charges. Letters of credit shall be in favor of and acceptable to Hali-Brite, shall be in sufficient amounts and for the period necessary to meet all payment obligations, shall be payable upon presentation of invoice and bill of lading, and shall be unconditional, irrevocable, and confirmed by a U.S. bank acceptable to Hali-Brite.
- b) Partial shipments shall be permitted at Hali-Brite's discretion unless otherwise agreed by Hali-Brite and customer in writing at the time the customer places its order.
- c) Charges for insurance, freight, dock handling, storage, forwarding and related items, when quoted by Hali-Brite, are ESTIMATES ONLY. Such charges shall be for customer's account and invoiced at actual charges.
- d) Export packaging or any special handling requested by customer shall be at its expense.

If credit terms have been extended to the customer, payment terms are net 30 days after date of invoice. Hali-Brite reserves the right to modify or withdraw credit terms at any time without notice and to require guarantees, security or payment in advance of the amount of credit involved, or payment in advance of shipment of products, if the customer fails to fulfill the terms of payment. Hali-Brite may defer further shipments to the customer or, at its option, cancel the unshipped portion of the customer's order. The customer agrees to pay interest on all past due invoices at the rate of 1% per month. Payments are to be in United States currency and shall be made by customer without regard to exchange rate fluctuations.

Note 3) IMPORTANT PRICE INFORMATION

- a) Billing Price: Orders, except "Hold for Release" and orders with deferred ship dates, will be billed at the price in effect at the acceptance of the order. "Hold for Release" orders will be billed at price in effect on date of release. Deferred orders will be billed at prices in effect on date of shipment.
- b) Claims for billing errors on invoices must be made to Hali-Brite within 30 days from the date of the invoice.
- c) Price Protection: Written quotations are firm for 31 days from the date of the Hali-Brite quotation.
- d) Cancellation: Orders may be cancelled only with Hali-Brite's prior written consent. In order to reimburse Hali-Brite for all applicable costs incurred by virtue of the order, including costs of purchased materials, engineering costs, and a reasonable allowance for profit, a cancellation charge may be made when an order is cancelled. Partial cancellation of an order may necessitate a small order handling charge and eliminate prepayment of freight.
- e) Additions to orders already processed will be considered separate orders.
- f) Partial shipments made at the customer's request will be considered as separate orders for determination of shipping charges, freight prepayment, and whether the small order handling charge applies.

Note 4) SPECIAL CHARGES

- a) Due to the cost of handling small orders, a \$5.00 fee will be added to orders less than \$100.00.
- b) An extra charge will be made for special packing.

Note 5) TAXES

Hali-Brite reserves the right to add to the price of such products at any time an amount equivalent to any duties, imports, revenues, sales, use, manufacturer's payroll, excise or other taxes which may be imposed and made applicable to its products.

Note 6) SHIPMENT AND DELIVERY

- a) All material is sold FOB Hali-Brite Point of Shipment. Risk of loss passes to customer upon delivery to the Common Carrier at Hali-Brite Point of Shipment. (The customer should file with the transportation company any claim for loss or damage in transit within 5 days from the date of delivery or what would be considered the normal delivery date. Since shipments are made at released value, customer should carry its own insurance for any deficiency in carrier coverage.) Title to the products sold hereunder passes to Buyer upon payment of the full purchase price.
- b) Shipment will be made by surface freight FOB Hali-Brite Point of Shipment.
- c) Unless otherwise agreed by Hali-Brite and the customer in writing, Hali-Brite may make partial shipments at its discretion. In the case of partial shipments of an order, Hali-Brite will invoice each shipment as it is made but on terms applicable to the entire order.
- d) Hali-Brite will not assume, allow, or pay any charges for cartage.
- e) The customer should inspect all material upon receipt. All claims for damages, errors or shortages, other than attributable to in-transit handling, must be made by the customer within five (5) days from receipt of the shipment at destination. The customer's failure to make such claims within a five (5) day period shall constitute irrevocable acceptance of the material. The customer must report damage or loss attributable to in-transit handling to the transportation company and request inspection within 30 days from the date of delivery.
- f) Hali-Brite will make reasonable efforts to ship as scheduled. However, Hali-Brite shall not be liable for any failure to perform or delay in performing its obligations under this agreement resulting directly or indirectly from or contributed to by any strikes, lockouts, or other labor



Hali-Brite®

Hali-Brite® L802A 36" Refurbished Airport Rotating Beacon

Applications

L-802A Rotating Beacons are designed primarily for night operation as identification and location markers for airports.

Features


- Patented stationary lamp system eliminates the gear lubrication maintenance required by conventional gear-drive beacons (U.S. Pat. 5,339,224)
- Qualifies for AIP funding
- Available for exchange or direct purchase
- 36,000 lumen, 400 watt metal-halide lamp
- 20,000 hour typical lamp life (3-4 years)
- One clear lens, one aviation green lens
- Thermally-protected motor eliminates burnouts
- Lamp preset 5° above horizontal, adjustable
- 12 RPM rotation, 24 flashes/minute
- All new stainless steel fasteners
- Plated steel parts
- All new Teflon-coated wire
- Weatherproof aluminum housing, powder coated international orange
- Winterization option available for cold climates
- Optional photocell and/or tell-tale relay
- Warranty 2 years on parts, 1 year on labor (excludes lamps)
- Power Consumption: 635W, 1035W with winterization option
- Manufactured in the USA






Sales and Technical Support:

1.800.553.6269

Sales@halibrite.com

 Hali-Brite, Inc.
1119 Madison Street
Brainerd, MN 56401

 www.halibrite.com
 Ph: 218.454.0956
 Fax: 218.454.0972



Hali-Brite®

Ordering Information

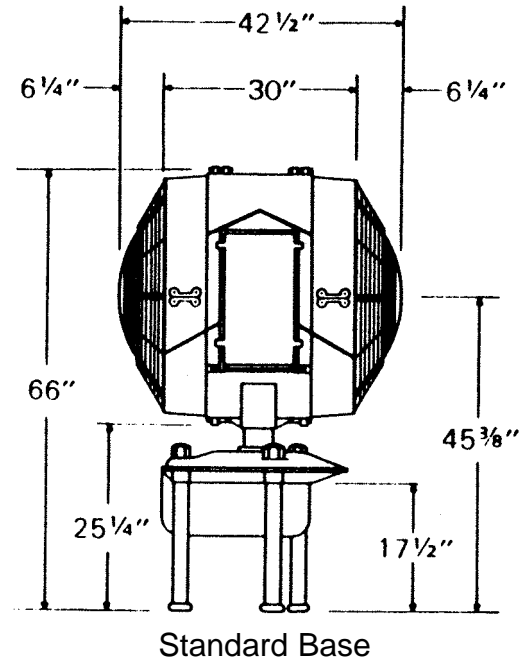
Part Number	Description
L802A1116BSE	120 VAC, 60 Hz, Standard Base, Customer Exchange
L802A1116BSS	120 VAC, 60 Hz, Standard Base, No Exchange
L802A1216BSE	120 VAC, 60 Hz, Standard Base, Customer Exchange, with Heater Option
L802A1216BSS	120 VAC, 60 Hz, Standard Base, No Exchange

NOTE: 220-240 VAC available, contact Factory

Part Number	Description
L802 T/T DCB 36	Tell-tale Relay, 120 VAC

Replacement Parts

Part Number	Description
0200-0005	Ballast
0600-0001	Belt
2300-0005	Fuse, 10 amp
3400-0400U	Lamp, 400 watt
2800-0001	Lens, Left Outer Sector
2800-0002	Lens, Right Outer Sector
2800-0003	Lens, Outer Bullseye
2800-0033	Lens, Inner Clear
2800-0011	Lens, Inner Green



Shipping Information

Unpackaged Weight: 450 pounds
 Shipping Weight: 950 pounds
 Shipping Volume: 48"x48"x77"

Sales and Technical Support:

1.800.553.6269

Sales@halibrite.com

📍 Hali-Brite, Inc.
 1119 Madison Street
 Brainerd, MN 56401

🌐 www.halibrite.com
 ☎ Ph: 218.454.0956
 📠 Fax: 218.454.0972



Hali-Brite®